

## **Steel Penstock VZS-B**



### **DESCRIPTION:**

VZS-A penstocks are used wherever it is necessary to cut off the flow or accumulate water. Used for surface water, rainwater or sewage in sewage systems, canals and drainage ditches. Made of stainless steel for full resistance to weather conditions.

### **MATERIALS:**

Frame, shut-off plate and spindle: Stainless steel, e.g. AISI 304/304L - 1.4301/1.4307, acid-resistant AISI 316/316L – 1.4401/1.4404 or any other depending on customer requirements and conditions at the mounting site

Gaskets: EPDM (or other material depending on working conditions, e.g. NBR, VITON or silicone).

### **TIGHTNESS:**

The penstock is tight up to 4m of water column.

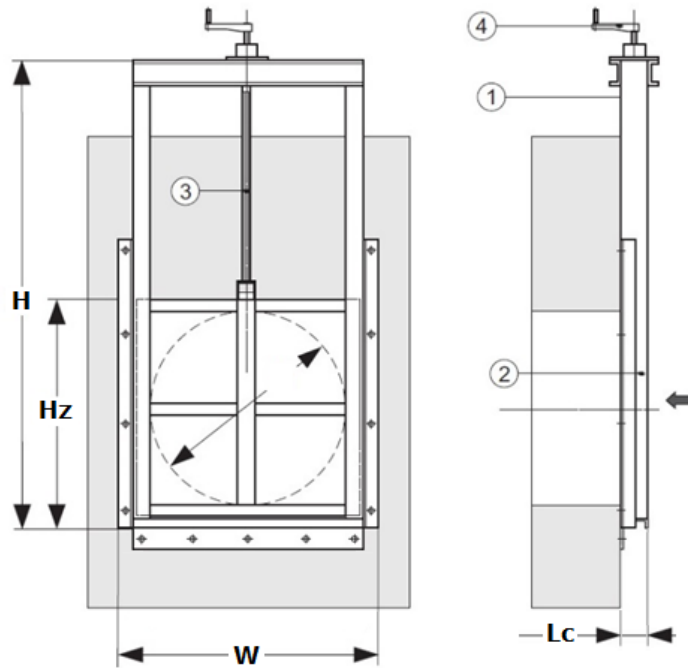
It is possible to make penstocks for higher water columns on request.

Sealing class: class C (0.03mm<sup>3</sup>/s x DN) acc. PN-EN 12266-1:2012 Tab. A.

### **MOUNTING:**

Using anchors to the wall and bottom of the concrete channel. It is recommended to use adhesive anchors. Sealing between the penstock frame and the wall and bottom is ensured by a porous EPDM gasket or SIKAFLEX type sealant.

**STANDARD DIMENSIONS:**



Type	Nominal Diameter DN [mm]	Pendstock Width W [mm]	Shut-off plate height Hz [mm]	Frame Height H [mm]	Penstock Thickness Lc [mm]
VZS-B 200	200	420	300	650	120
VZS-B 300	300	520	400	900	120
VZS-B 400	400	620	440	980	120
VZS-B 500	500	720	640	1380	120
VZS-B 600	600	820	700	1500	120
VZS-B 700	700	920	800	1700	120
VZS-B 800	800	1020	900	1900	120
VZS-B 900	900	1120	1000	2100	150
VZS-B 1000	1000	1220	1100	2300	150
VZS-B 1100	1100	1320	1200	2500	150
VZS-B 1200	1200	1420	1300	2700	150
VZS-B 1400	1400	1620	1400	2900	150
VZS-B 1500	1500	1720	1600	3300	150
VZS-B 1600	1600	1820	1700	3500	200
VZS-B 1800	1800	2020	1900	3900	200
VZS-B 2000	2000	2220	2100	4300	200

\* The manufacturer reserves the right to change dimensions