

## **Inspection Hatch Economical VWR-E**



### **DESCRIPTION:**

Vortico VWR-E inspection hatches are used wherever access to the space under the floor is required. They come in many variants tailored to the customer's needs. In addition to the range of standard inspection hatches, we offer custom-made hatches that can be adapted to non-standard dimensions or with additional equipment. Hatches are not suitable for pedestrian or vehicular traffic. After installation, they protrude above the floor.

### **MATERIALS:**

Inspection hatches are made of stainless steel, e.g. AISI 304/304L - 1.4301/1.4307, acid-resistant AISI 316/316L - 1.4401/1.4404, aluminum or any other, depending on the customer's requirements and mounting conditions. The seal is made of silicone or other material adapted to external conditions, such as EPDM, NBR or VITON.

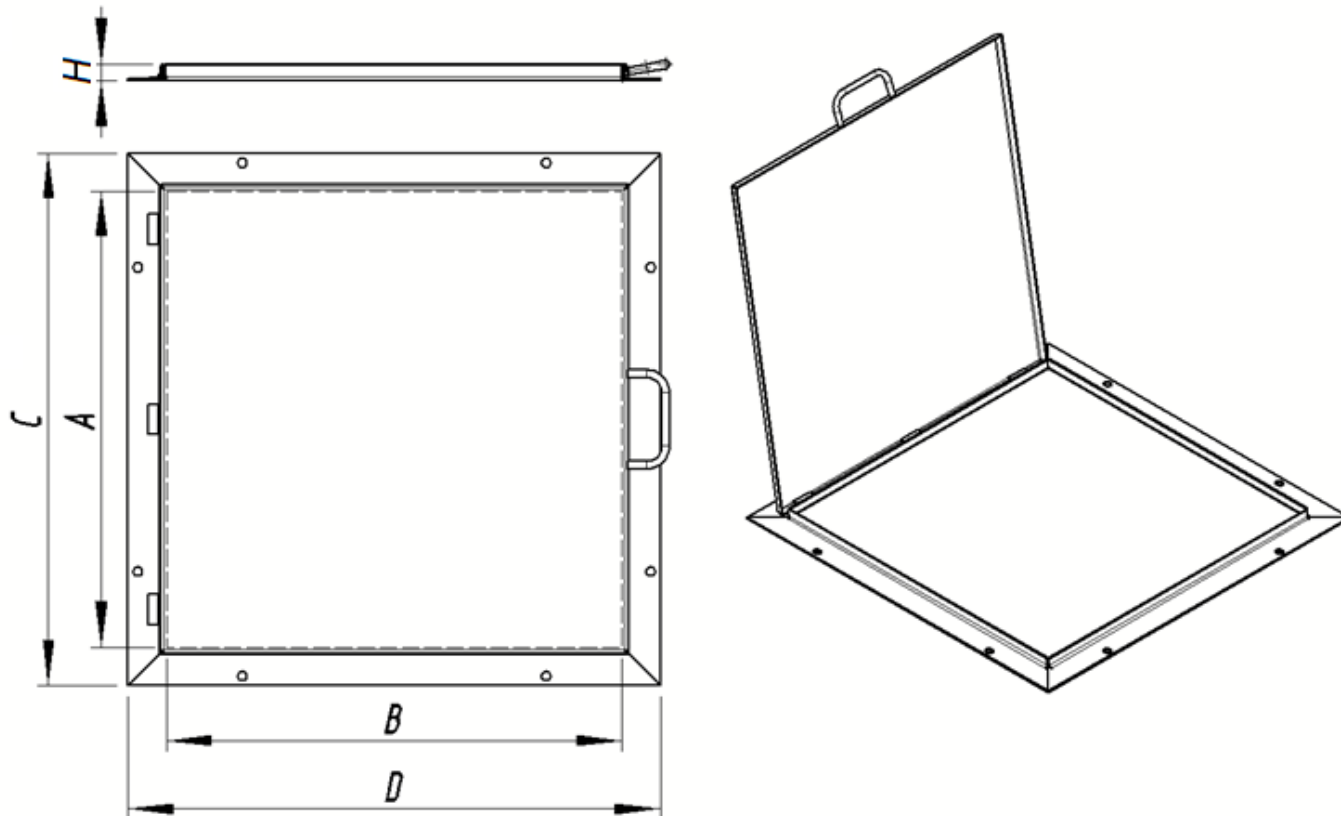
### **ADDITIONAL EQUIPMENT:**

We manufacture manually removable inspection hatches with handles, dedicated keyholes, as well as hinged covers, equipped with pneumatic actuators or electric drives.

**DOCUMENTATION:**

Standard documentation delivered with the delivery includes: the national declaration of performance, technical and operational documentation along with the operating and assembly instructions. On request, we provide material certificates, welding documents and other according to the customer's needs.

**STANDARD DIMENSIONS:**



Type	Access Dimensions AxB [mm]	External Dimensions Cx D [mm]	Height H [mm]
VWR-E 300x300	300x300	400x400	25*
VWR-E 400x400	400x400	500x500	25*
VWR-E 500x500	500x500	600x600	25*
VWR-E 600x600	600x600	700x700	25*
VWR-E 700x700	700x700	800x800	25*
VWR-E 800x800	800x800	900x900	25*
VWR-E 900x900	900x900	1000x1000	25*
VWR-E 1000x1000	1000x1000	1100x1100	25*

\* This is standard height. The height depends on the customer's specific requirements.