

Inspection Hatch with Filling

VWR-A



DESCRIPTION:

Vortico VWR-A inspection hatches are used wherever access to the space under the floor is required. They come in many variants tailored to the customer's needs. In addition to the range of standard inspection hatches, we offer custom-made hatches that can be adapted to non-standard dimensions or with additional equipment.

MATERIALS:

Inspection hatches are made of stainless steel, e.g. AISI 304/304L - 1.4301/1.4307, acid-resistant AISI 316/316L - 1.4401/1.4404, or any other, depending on the customer's requirements and mounting conditions. The seal is made of EPDM or other material adapted to external conditions, such as silicone, NBR or VITON.

LOAD CAPACITY:

Hatches are available in load classes: up to A15 to D400 according to EN 1253-2.

ADDITIONAL EQUIPMENT:

We manufacture hatches with manually removable covers with handles, dedicated keyholes, as well as hinged covers, equipped with pneumatic actuators or electric drives.

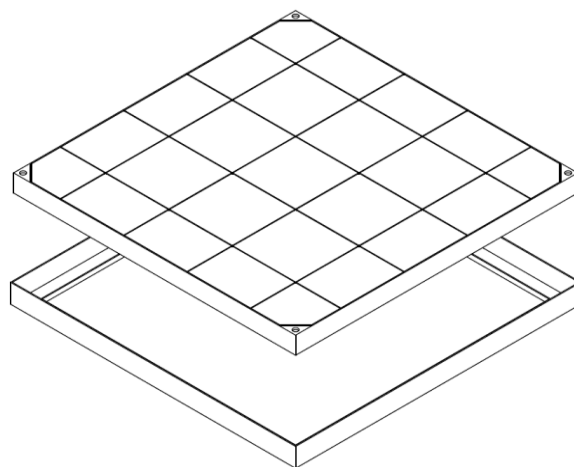
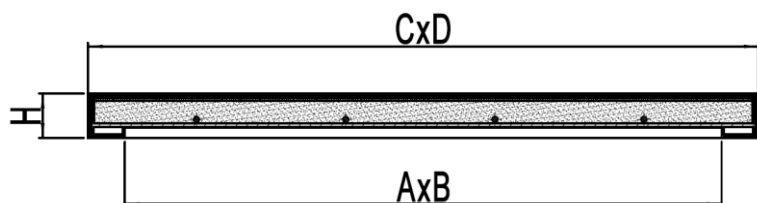
FILLING:

We make inspection hatches ready to be filled with concrete and covered with various materials, including ceramic tiles, paving stones, granite slabs, etc. according to customer requirements. On request, we can fill with concrete and glue the tiles.

DOCUMENTATION:

Standard documentation delivered with the delivery includes: the national declaration of performance, technical and operational documentation along with the operating and assembly instructions. On request, we provide material certificates, welding documents and other according to the customer's needs.

STANDARD DIMENSIONS:



Type	Access Dimensions AxB [mm]	External Dimensions CxD [mm]	Height H [mm]
VWR-A 300x300	300x300	400x400	60/120*
VWR-A 400x400	400x400	500x500	60/120*
VWR-A 500x500	500x500	600x600	60/120*
VWR-A 600x600	600x600	700x700	60/120*
VWR-A 700x700	700x700	800x800	60/120*
VWR-A 800x800	800x800	900x900	60/120*
VWR-A 900x900	900x900	1000x1000	60/120*
VWR-A 1000x1000	1000x1000	1100x1100	60/120*

* given standard height for filling with tiles/paving stones. The height depends on the type of cover filling, the required load class and specific customer requirements.

