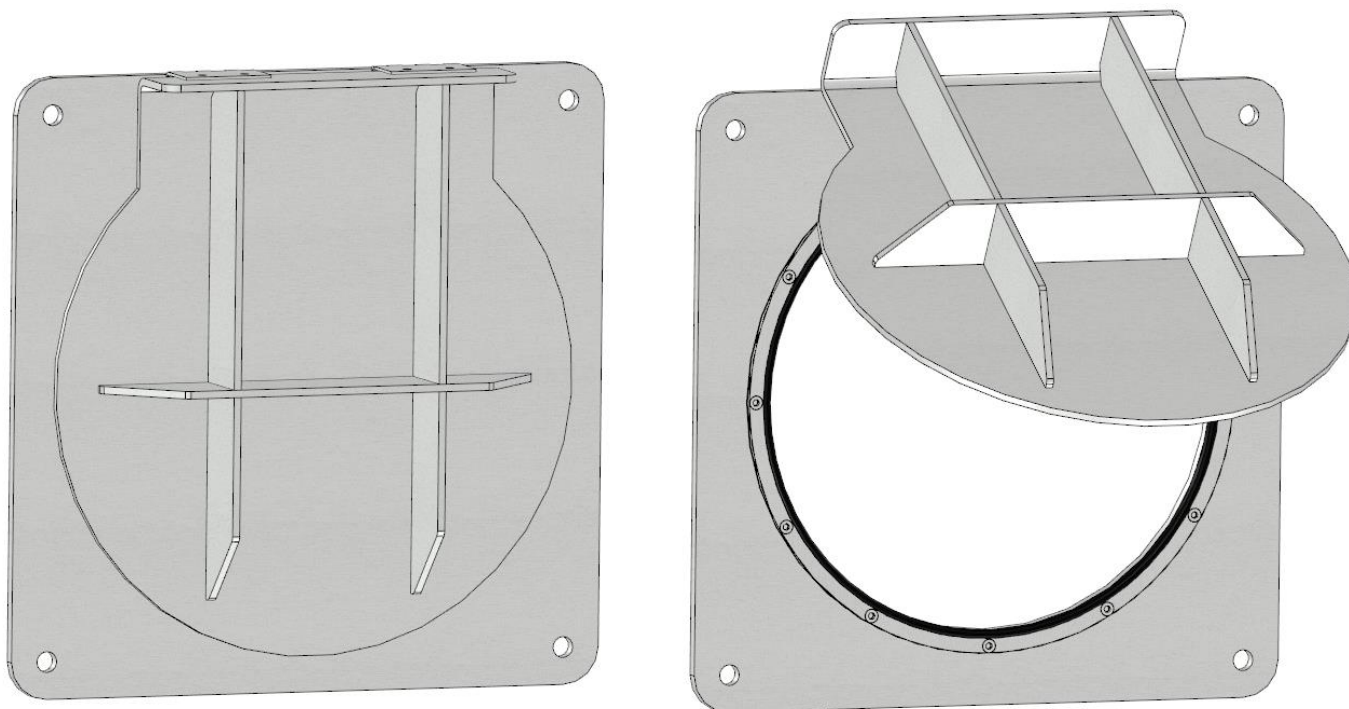


Flat Steel Flap Valve

VKZ-SP



DESCRIPTION:

VKZ-SP flap valves are used wherever protection against backflow is required. Used for surface water, rainwater or sewage in sewage systems, canals and drainage ditches.

MATERIALS:

Body, flap and hinge: Stainless steel AISI 304/304L - 1.4301/1.4307 or acid-resistant AISI 316/316L - 1.4401/1.4404 or any other depending on customer requirements.

Gaskets: EPDM (or other material depending on working conditions, e.g. NBR, VITON or silicone).

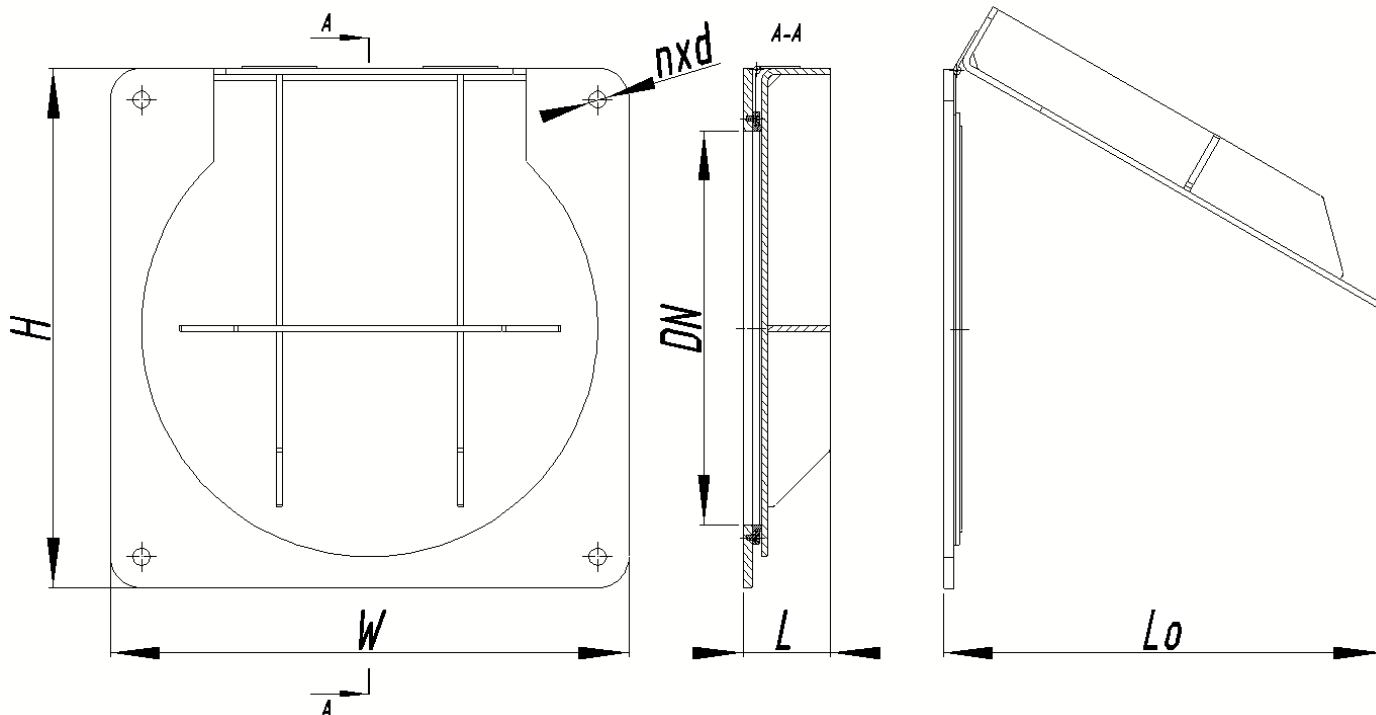
MOUNTING:

Flap valves are mounted on a flat wall using anchors. It is recommended to use adhesive anchors. Sealing to the wall using a porous EPDM gasket or SIKAFLEX type sealant.

ADDITIONAL OPTIONS:

A number of additional options are available depending on customer requirements. These include, among others, the opening lock, opening degree limiter, closing spring, etc.

STANDARD DIMENSIONS:



Type	Nominal Diameter DN [mm]	Flap Height H [mm]	Flap Width W [mm]	Length of the Closed Flap L [mm]	Length of the Closed Flap Lo [mm]	Qty x Size of Anchors
VKZ-SP 200	200	300	300	60	285	4xM10
VKZ-SP 250	250	350	350	65	335	4xM10
VKZ-SP 315	315	415	415	70	400	4xM10
VKZ-SP 400	400	500	500	75	485	4xM10
VKZ-SP 500	500	600	600	80	590	4xM12
VKZ-SP 630	630	730	730	90	730	4xM12

*Other sizes available on individual request. It is possible to make a flap of any size.

** Vortico reserves the right to make changes to suit a specific order.

DOCUMENTATION:

Standard documentation delivered with the delivery includes: the national declaration of performance, technical and operational documentation along with the operating and assembly instructions. On request, we provide material certificates, welding documents and other according to the customer's needs.